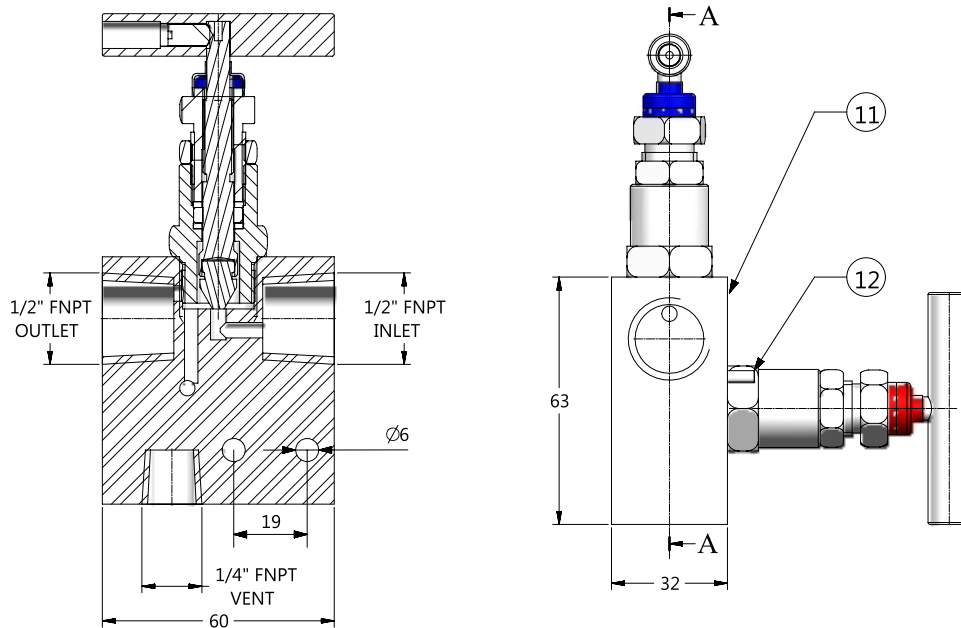


- 2 Valve Manifold - Pipe to Pipe Type
- Designed to connect Impulse Lines and Transmitters.
- Designed for Blocking, Bleeding and Calibrating Pressure Transmitters.
- Single Valve Configuration combing the function of TEE, Calibration Valve, Isolation Valve, tubings and fittings.
- Standard Working Pressure 6,000 PSI with PTFE packing.
- Optional Working Pressure 10,000 PSI on request.
- SS 316/316L Bar stock construction
- Grafoil offered for higher temperatures.
- Standard NPT End Connections.
- Heat Code Traceability.
- NACE MR-01-75 Compliant materials available on request.
- 3.1 Certificates furnished.
- Mounting Brackets along with Accessories available on request.
- PMI certificates available on request.



*For any other material / size combinations, please contact the sales department.
 *All specifications are subject to change without notice
 *All sales subject to standard terms and conditions.

